

## Belcher Bits Set BB-38: Canso Faired Nose 1/48

### Background

After WWII, a number of Catalina (or Canso in Canada) PBV-5A flying boats were taken into civilian service for use as utility aircraft, water bombers or even private 'air yachts'. Most of these had the forward turret removed and faired over. There were a number of these modifications, ranging from a simple fairing over the turret location, to nicely curved new noses.

This simple resin conversion provides one of the more basic changed noses, with a fairing over the nose turret position. This was seen on several post-war RCAF Cansos as well as some civilian machines. Some had a hatch in the top; some even had a clear 'astrodome' as well. Neither of those options are given in this conversion, but feel free to grind out the interior and add one if you wish.

### Assembly

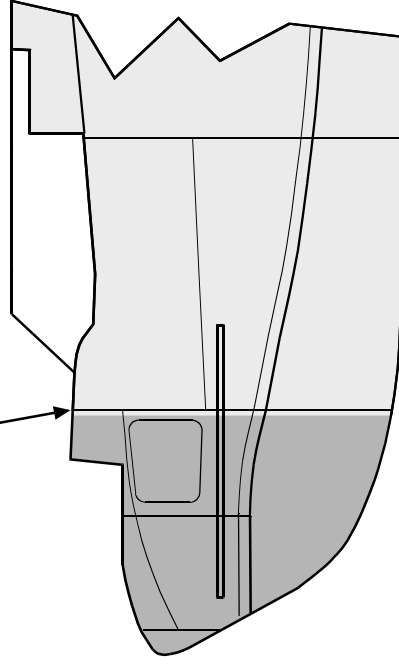
Cut off the kit nose where indicated on the drawing below. You may need to file a little material from the inside of the nose, using the resin part as a guide. When satisfied with the fit, glue in place using cyano glue.

### Source

This conversion was originally sold by Scott McTavish of Scott's Custom Resin Products. It has been unavailable for a number of years and is now offered under license by Belcher Bits. Thanks to Scott for his work.



Remove nose 1/32" forward of this panel line



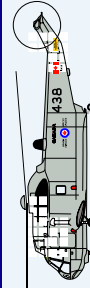
### Belcher Bits

33 Norway Spruce St,  
Stittsville, ON, Canada  
K2S 1P3

Phone: 813-836-6575, Email: [info@belcherbits.com](mailto:info@belcherbits.com) Web: [www.belcherbits.com](http://www.belcherbits.com)



Belcher  
Bits



## Belcher Bits Set BB-38: Canso Faired Nose 1/48

### Background

After WWII, a number of Catalina (or Canso in Canada) PBV-5A flying boats were taken into civilian service for use as utility aircraft, water bombers or even private 'air yachts'. Most of these had the forward turret removed and faired over. There were a number of these modifications, ranging from a simple fairing over the turret location, to nicely curved new noses.

This simple resin conversion provides one of the more basic changed noses, with a fairing over the nose turret position. This was seen on several post-war RCAF Cansos as well as some civilian machines. Some had a hatch in the top; some even had a clear 'astrodome' as well. Neither of those options are given in this conversion, but feel free to grind out the interior and add one if you wish.

### Assembly

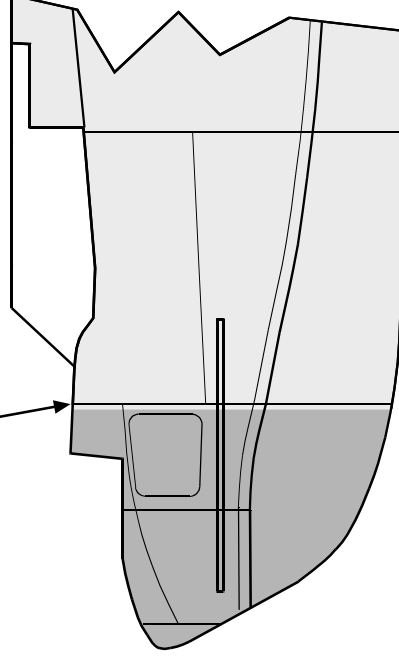
Cut off the kit nose where indicated on the drawing below. You may need to file a little material from the inside of the nose, using the resin part as a guide. When satisfied with the fit, glue in place using cyano glue.

### Source

This conversion was originally sold by Scott McTavish of Scott's Custom Resin Products. It has been unavailable for a number of years and is now offered under license by Belcher Bits. Thanks to Scott for his work.



Remove nose 1/32" forward of this panel line



### Belcher Bits

33 Norway Spruce St,  
Stittsville, ON, Canada  
K2S 1P3

Phone: 813-836-6575, Email: [info@belcherbits.com](mailto:info@belcherbits.com) Web: [www.belcherbits.com](http://www.belcherbits.com)



Belcher  
Bits

